

RESTYLING MANON



NEW RANGE OF HANDLES

New fastening system
Rounded design
Complete range



GB 01/2004

AV SAVIO

Restyling Manon
a new “hint”
Re-confirmation

SAVIO by Pininfarina:
of elegance.
of leader-ship.

FUNCTIONALITY AND STYLE

Pininfarina design, started from the characteristical handgrip with “thumb shape” that gave the success to MANON, evolves with the new reduced box.
A restyling that allows an easier grip joined with greater elegant aesthetics.

APPLICATION REQUIREMENTS FOR ANY DEMAND

Different versions of Restyling MANON (for casement and for tilt and turn; standard, with safety cylinder and key, without handle-grip), that required the symmetrical fastening centre distance of 84,5- 92 - 98- 104 mm, allowing the maximum versatility of use.

RELIABILITY AND FLUIDITY

New MANON matches the elegance of shape designed by PININFARINA, appreciated and requested all around the world, to the reliability given by sliders and spool for movement transmission. Guarantee of endurance with a better fluidity of movement.

IRREVERSIBLE FASTENING

Restyling MANON provides a more secure and more simplistic assembly on the profile, thanks to its direct fastening on the cover by means of metrical screws M5.



Elegant finishes

The beauty of Manon, its timeless style that permits the use both in modern as well as in traditional environment, improves with several different finishes and the variegated colouring shown in the catalogue.

Restyling Manon confirms its leadership for elegance starting from the innovative solution of PVD that highlights Manon prestige and endurance, to the ivory and cream classical finishes that underline the harmony of shapes. Following, we present a selection of most requested finishes in the market.



RAL 9010
White RAL power coated



RAL 1013
Ivory RAL power coated



PVD X
Satin steel PVD X treated



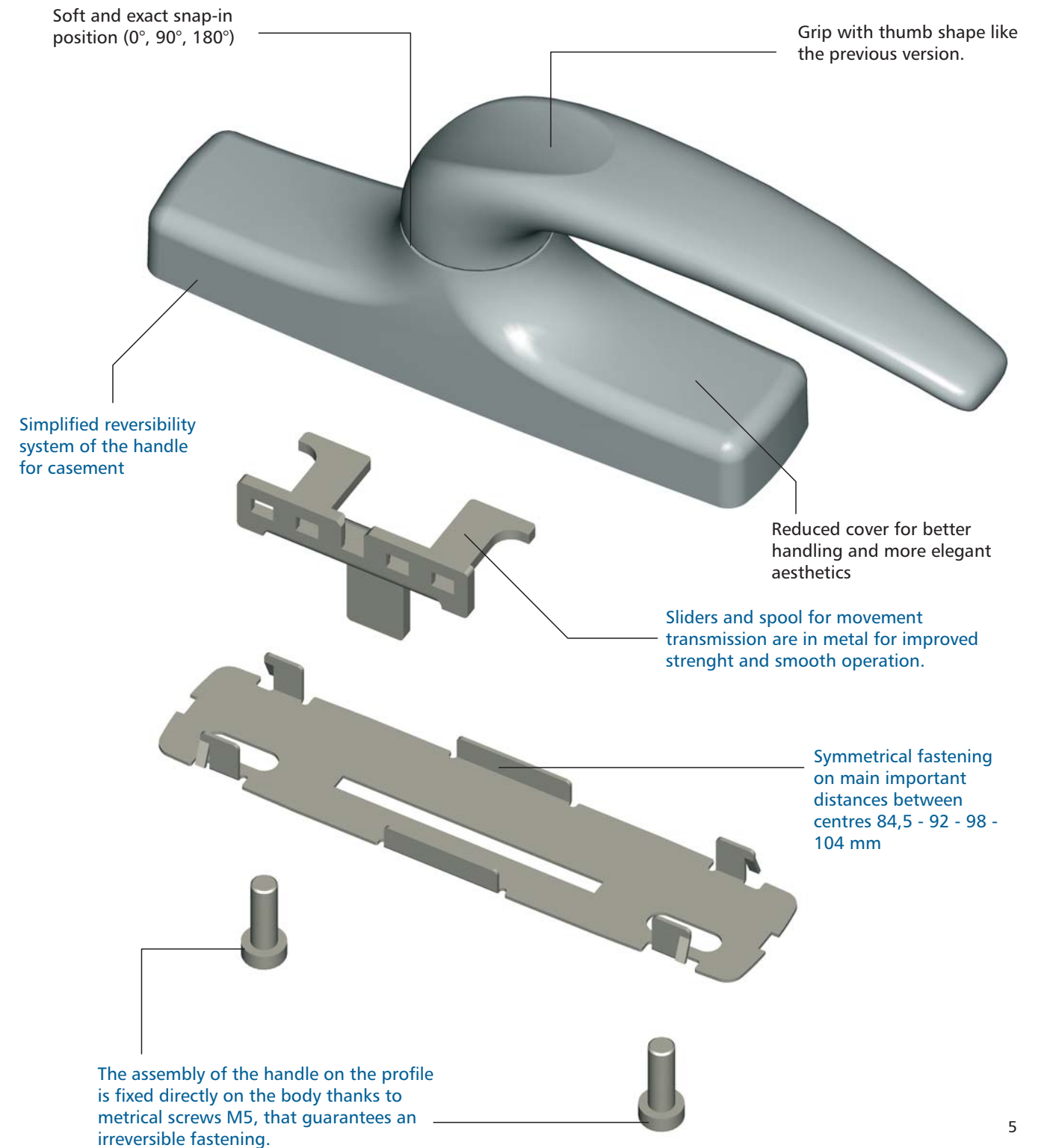
RAL 9005
Black RAL power coated



GR 217
Dark marbled grey

Restyling MANON

SAVIO's research never stops. Improvement is a duty, also for very successful products such as MANON handle range. MANON new restyling, based on cover reduction allows easier maneuvering of the handle, updating and improving traditional features of product: reliability, security and easiness of assembly, confirming its elegance and its solidity.



MANON handle for casement and tilt and turn



Art.	Description	Pcs.	Finishes
870.1	(pat.) Handle for casement in die-cast metal or brass, distance between centres 84.5-98 mm , 2 screws TCEI M5x15 in black galvanized steel.	20	C, OTT, 1013, 1015, 6002, 7032, 8019, 9001, 9005, 9006, 9010, 9016, BL10, B.SA, BR 4, BR801, BW21, GALET 9660, GR217, GR606, RD501, WT005, PVD H, PVH X
870.2	(pat.) Like 870.1 but with distance between centres 92-104 mm .	20	
873.1	(pat.) Handle for tilt and turn in die-cast metal or brass, distance between centres 84.5-98 mm , 2 screws TCEI M5x15 in stainless steel 304.	5	
873.2	(pat.) Like 873.1 but with distance between centres 92-104 mm .	5	
			<i>OTT, PVD H and PVD X finishes : 5 pcs. for each packaging ; C finish : 50 pcs. for each packaging.</i>




Art.	Description	Pcs.	Finishes
870.753	(pat.) Handle for casement in die-cast metal or brass, with safety cylinder (same keys), distance between centres 84.5-98 mm , 2 screws TCEI M5x15 black galvanized steel.	10	
870.754	(pat.) Like 870.753 but with distance between centres 92-104 mm .	10	OTT, 1013, 1015, 6002, 7032, 8019, 9001, 9005, 9006, 9010, 9016, BL10, B.SA, BW21, GALET 9660
873.753	(pat.) Handle for tilt and turn in die-cast metal or brass, with safety cylinder (same keys), distance between centres 84.5-98 mm , 2 screws TCEI M5x15 in stainless steel 304.	5	
873.754	(pat.) Like 873.753 but with distance between centres 92-104 mm .	5	
			<i>OTT finish : 5 pcs. for each packaging.</i>
873.771	(pat.) Left handle for tilt and turn, logical manoeuvre , in die-cast metal or brass, with safety cylinder (same keys), distance between centres 84.5-98 mm , 2 screws TCEI M5x15 in stainless steel 304.	5	
873.772	(Pat.) Like 873.771 but right hand.	5	OTT, 1013, 8019, 9001, 9005, 9010, 9016, BL10
873.773	(pat.) Left handle for tilt and turn, logical manoeuvre , in die-cast metal or brass, with safety cylinder (same keys), distance between centres 92-104 mm , 2 screws TCEI M5x15 in stainless steel 304.	5	
873.774	(pat.) Like 873.773 but right hand.	5	



Art.	Description	Pcs.	Finishes
870.755	(pat.) Handle for casement in die-cast metal, without handle-grip (handle-grip art. 1243.599), distance between centres 84.5-98 mm , 2 subscrew plates and 2 screws TCEI M5x15 in black galvanized steel.	10	
870.756	(pat.) Like 870.755 but with distance between centres 92-104 mm .	10	
873.755	(pat.) Handle for tilt and turn in die-cast metal, without handle-grip (handle-grip art. 1243.599), distance between centres 84.5-98 mm , 2 subscrew plates and 2 screws TCEI M5x15 in stainless steel 304.	5	9005
873.756	(pat.) Like 873.755 but with distance between centres 92-104 mm .	5	

Accessories for MANON handles

Art.	Description	Pcs.	Finishes
1243.599	Stainless steel handle-grip for art. 870.755/.756 and 873.755/.756.	1	NE




Art.	Description	Pcs.	Finishes
870.400	Pininfarina label for MANON handles.	100	

Art.	Description	Pcs.	Finishes
870.802	Stiffening snap for Eurogrooves profiles and NC International.	200	



Art.	Description	Pcs.	Finishes
870.803	Stiffening snap for R 40/50 and NEW TEC profiles.	200	

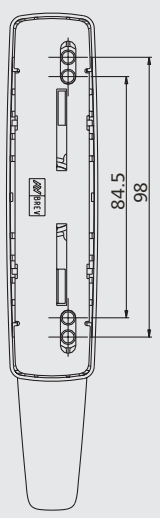
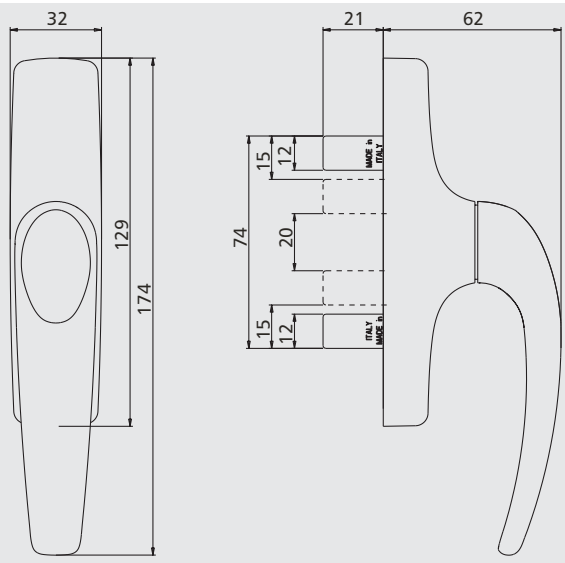


Finishing table

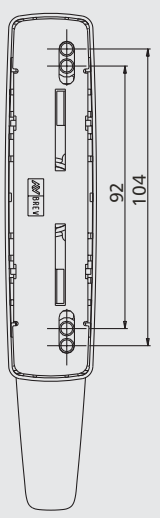
1013 = ivory RAL powder coated	9016 = traffic white RAL powder coated	BW21 = ice white powder coated
1015 = dark ivory RAL powder coated	C = mill finished	GALET 9660 = grey powder coated
6002 = leaf green RAL powder coated	NE = electrolytically anodized black colour	GR217 = dark marbled grey
7032 = pebble grey RAL powder coated	OTT = polished solid brass and clear powder coated	GR606 = marbled green
8019 = coffee RAL powder coated	BL10 = matte black powder coated	RD501 = marbled red
9001 = cream RAL powder coated	B.SA = satin-finished white RAL powder coated	WT005 = gothic white
9005 = black RAL powder coated	BR4 = dark bronze powder coated	PVD H = bright gold PVD coated
9006 = silver RAL powder coated	BR801 = marbled brown	PVD X = trattato PVD INOX
9010 = white RAL powder coated		

MANON handles for casement

870.1 - 870.2

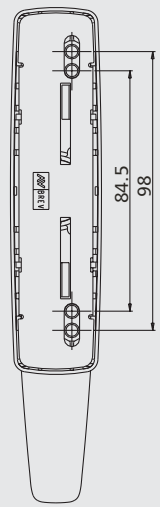
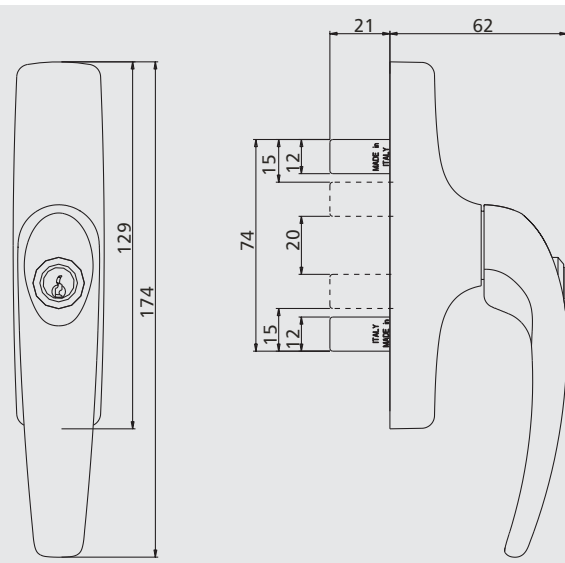


870.1

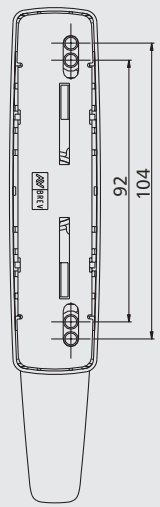


870.2

870.753 - 870.754

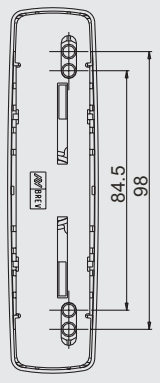
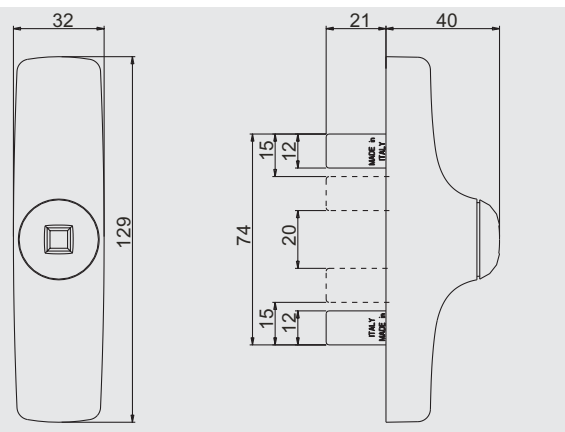


870.753

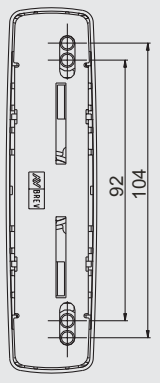


870.754

870.755 - 870.756



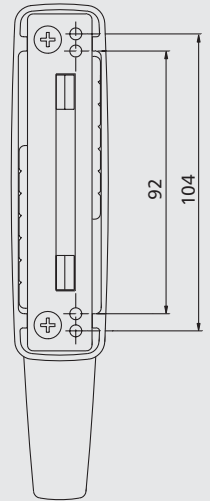
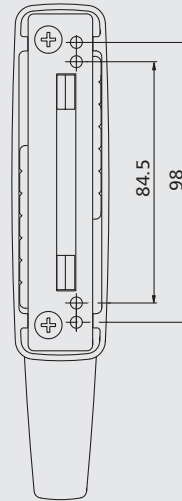
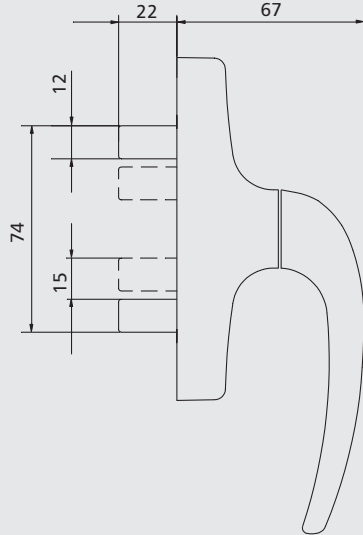
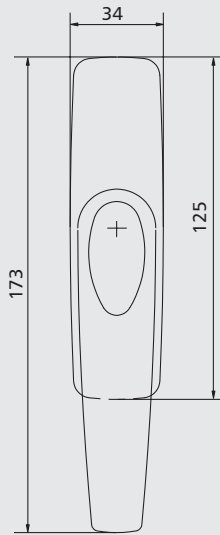
870.755



870.756

Handles MANON for casement - ROUGH and BRASS versions

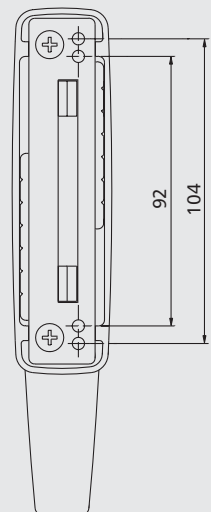
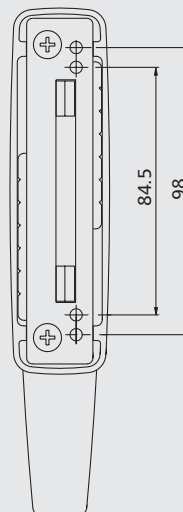
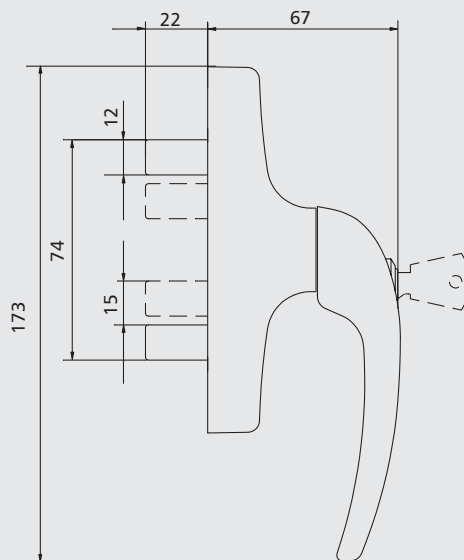
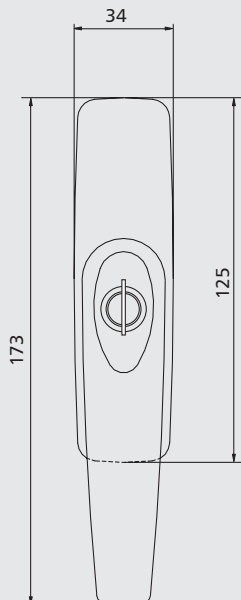
870.1 - 870.2 C and OTT



**870.1 C
870.1 OTT**

**870.2 C
870.2 OTT**

870.753 - 870.754 OTT

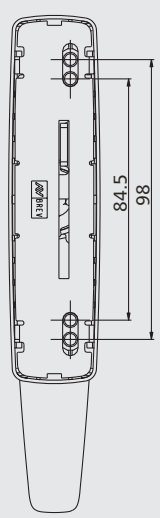
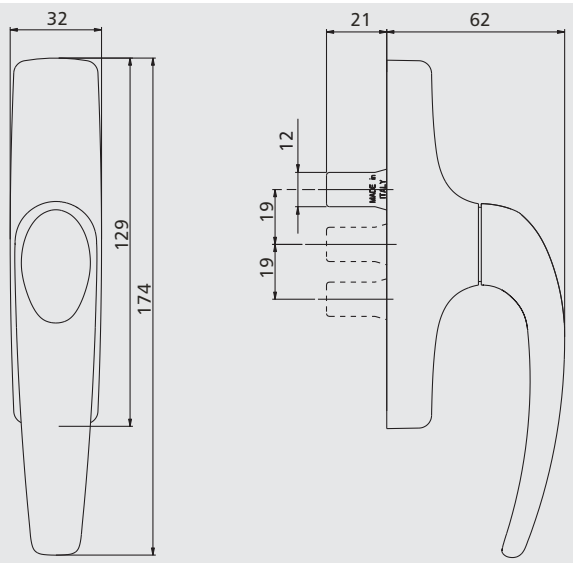


870.753 OTT

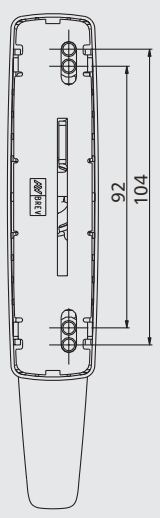
870.754 OTT

Handles MANON for tilt and turn

873.1 - 873.2

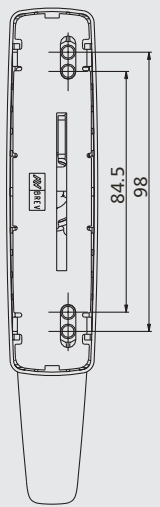
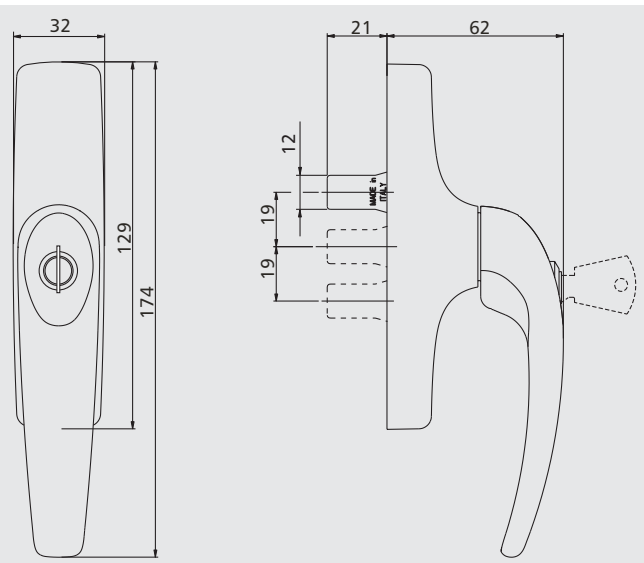


873.1

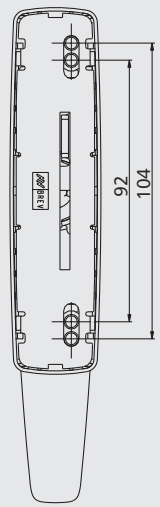


873.2

873.753 - 873.754

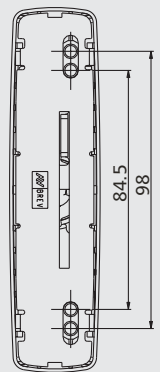
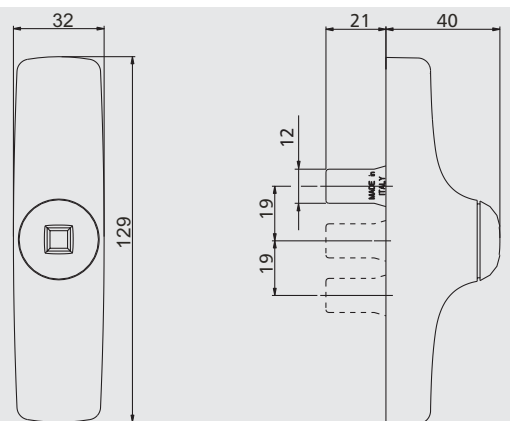


873.753

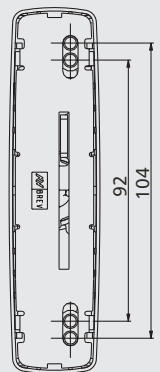


873.754

873.755 - 873.756



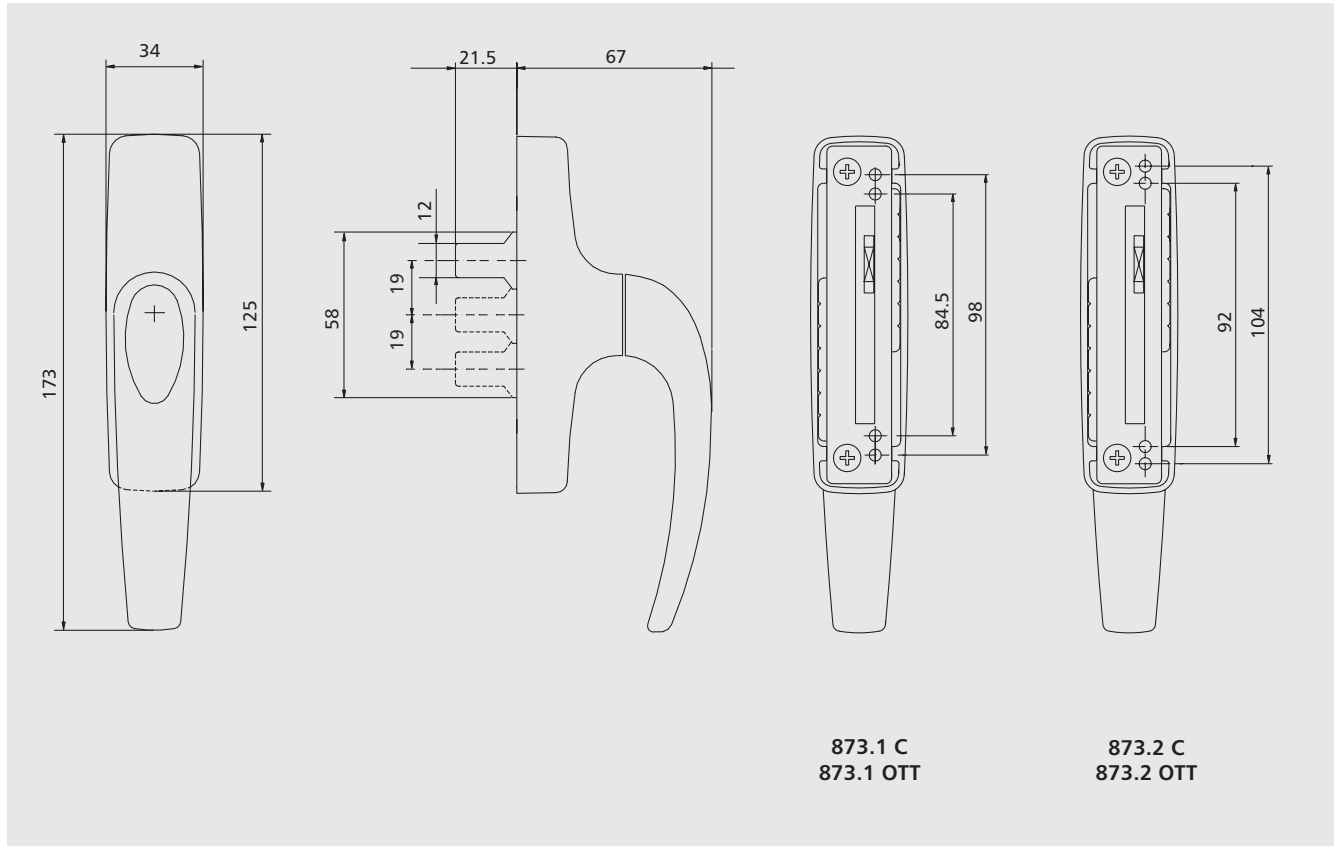
873.755



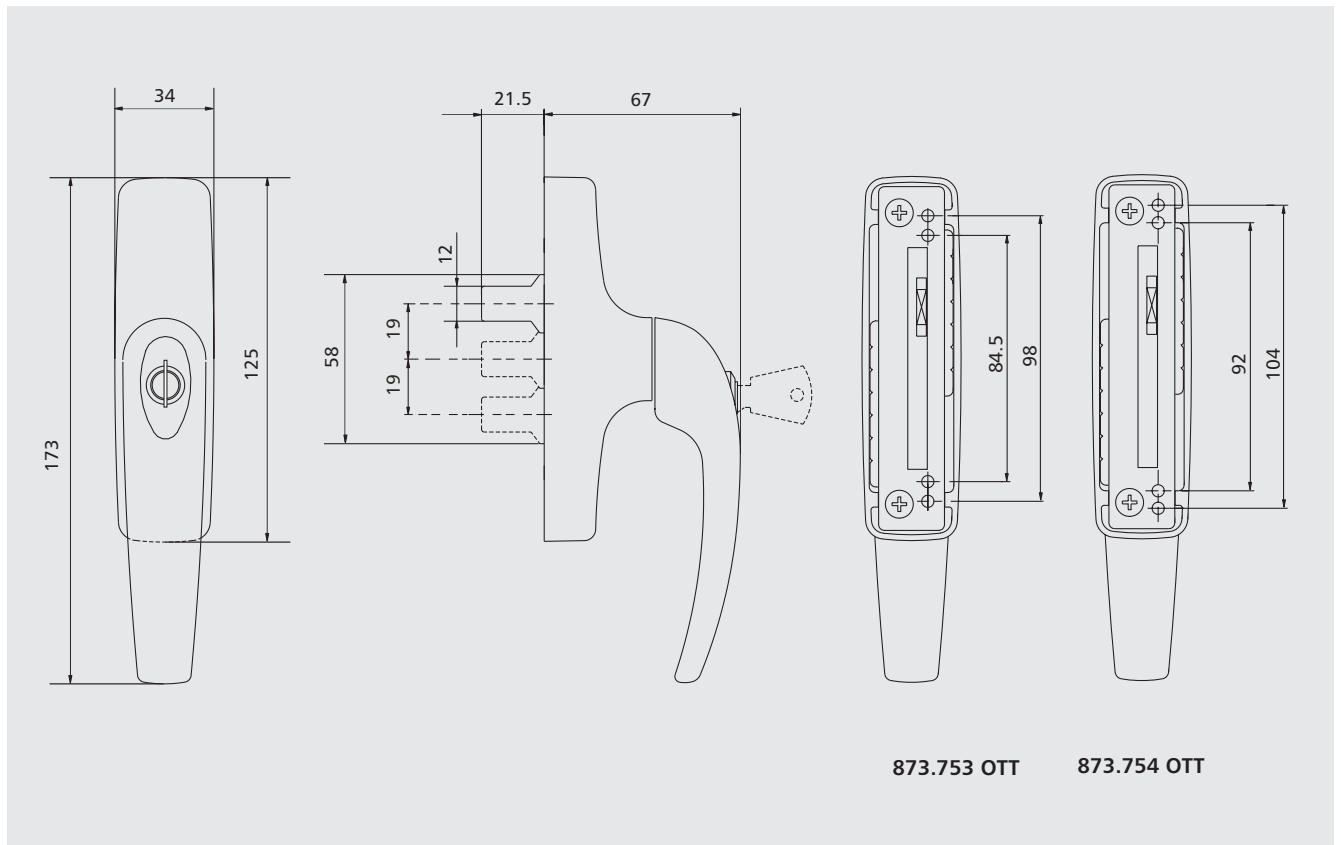
873.756

Handles MANON for tilt and turn - MILL and BRASS versions

873.1 - 873.2 C and OTT

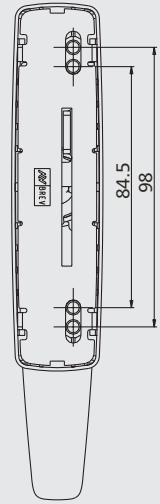
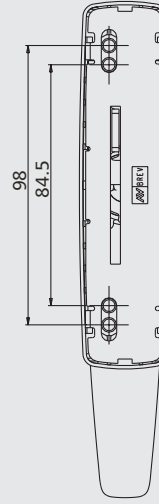
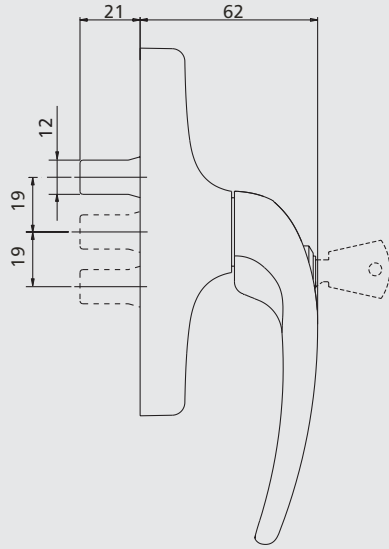
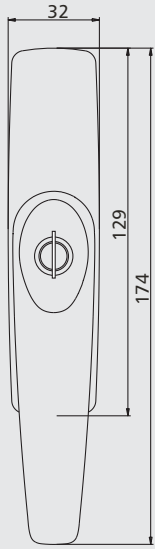


873.753 - 873.754 OTT



Handles MANON for tilt and turn

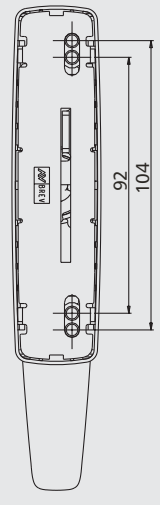
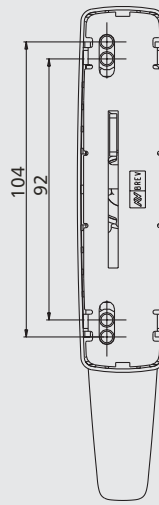
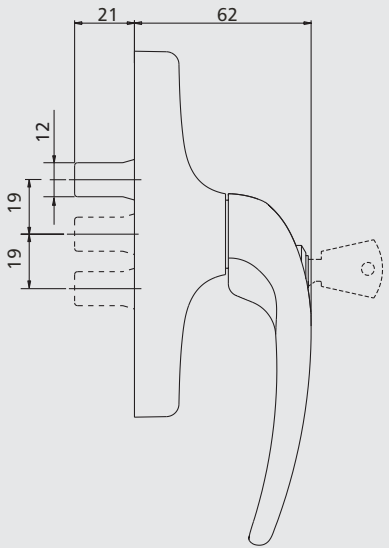
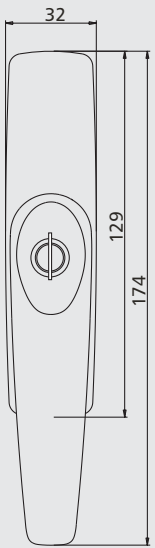
873.771 - 873.772



873.771

873.772

873.773 - 873.774

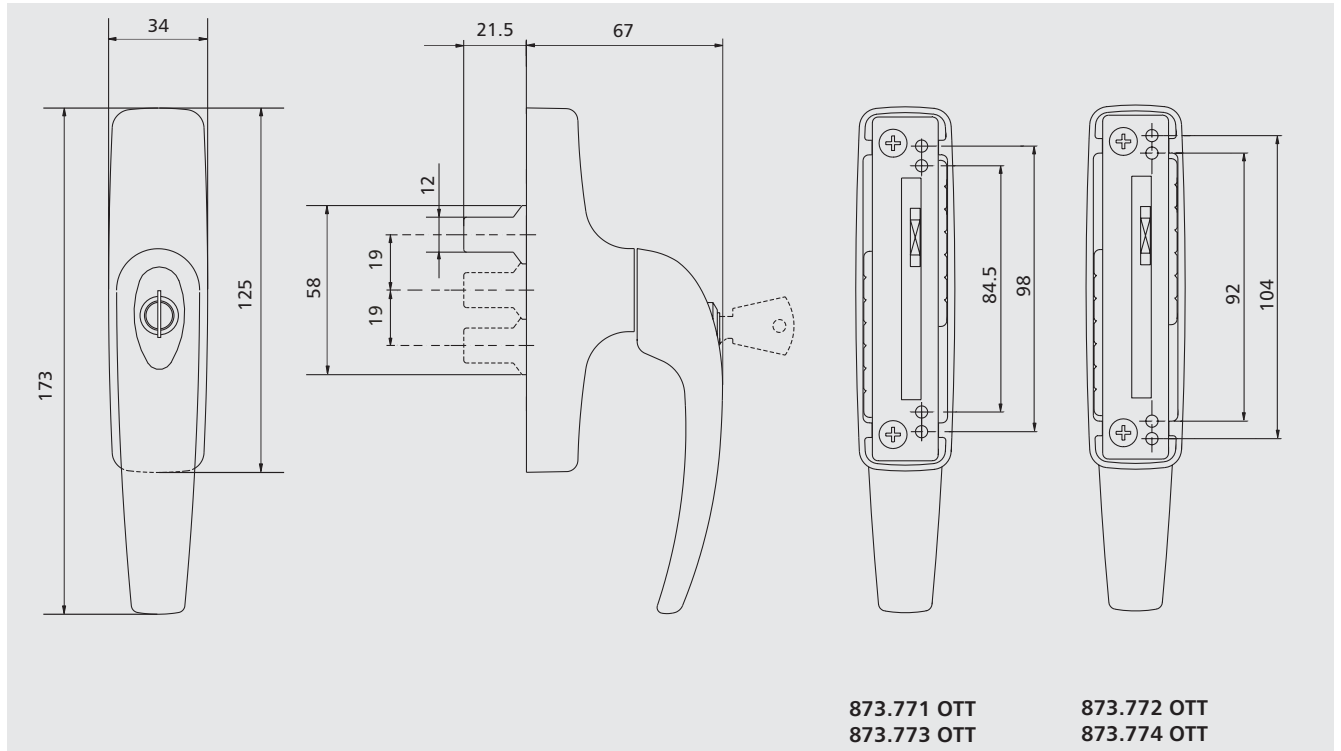


873.773

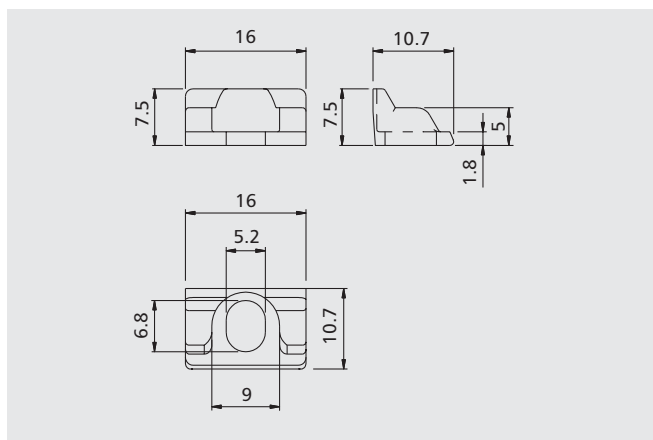
873.774

Handles MANON for tilt and turn and accessories

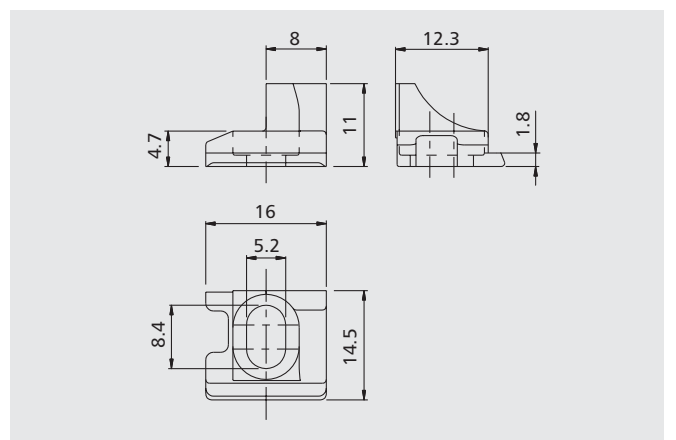
873.771 - 873.772 - 873.773 - 873.774 OTT



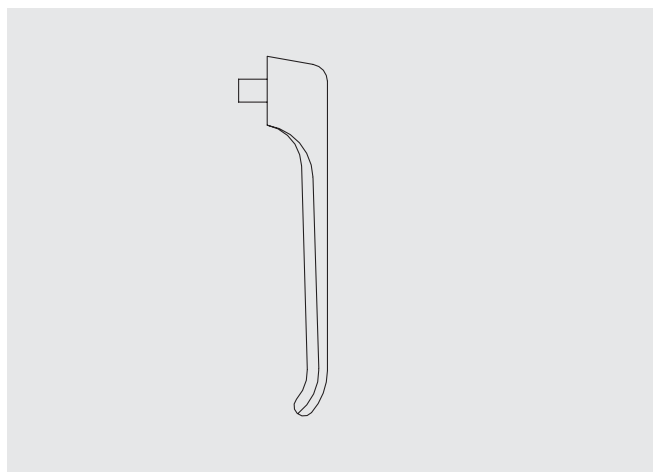
870.802



870.803



1243.599



Summary of SAVIO other codes by Pininfarina range

ARTICLE	NAME	DESCRIPTION	PCS.	FINISHES
872	MANON	(Pat.) Handle in die-cast metal, distance between centres 130 mm , 2 subscrew plates and 2 screws TC M4x12 in black galvanized steel.	20	BR 4, 1013, 1015, 8019, 9005, 9006, 9010, BR801, GR217, GR606, RD501, WT005
872.751	MANON	(Pat.) Like 872 but with safety cylinder (same keys)	10	1013, 1015, 8019, 9001, 9005, 9006, 9010
872.752	MANON	(Pat.) Like 872 but without handle-grip (handle-grip art. 1243.599)	10	9005
874.1	MANON	(Pat.) Snap latch with handle in die-cast metal, brass or nylon, distance between centre 43 mm, 8 mm square spindle and 2 screws TC M5x35 in galvanized steel (to combine with art. 1200/8 and 1201/8).	5	OTT, 1013/A, 9005, 9010/B, .74, .75, .75/A, .78, .78/B
874.2	MANON	(Pat.) Snap latch with extractable handle in die-cast metal and nylon of the same color of the handle, distance between centres 43 mm, 8 mm square spindle, 2 screws TC M5x30 in galvanized steel and 1 key for handle removal in galvanized steel, dimensions 10x1 mm (1 piece each box). Combine with 1200/8 and 1201/8.	5	C, OTT, 1013, 9005, 9010
874.21	MANON	(Pat.) Like 874.2 but with a projecting part of the square spindle of 44 mm	5	OTT
874.598		Key for handle removal of art. 874.2/.21 in galvanized steel, dimension 10x1 mm.	50	
874.805		Protection cap in red nylon for art. 874.2/.21	100	
876	MANON	(Pat.) Handle in die-cast metal for internal and external openings, distance between centres 104-108 mm , 2 subscrews plates, 2 screws TC M4x14, 2 screws TC Ø 3,9x25 and 2 nuts M4 in galvanized steel.	20	BR 4, 1013, 1015, 6005, 7032, 8017, 8019, 9005, 9006, 9010, BR801, GR217, GR606, RD501, WT005
876.751	MANON	(Pat.) Like 876 but with safety cylinder (same keys)	10	1013, 1015, 6005, 7032, 8017, 8019, 9005, 9006, 9010



Enter the world of SAVIO online:
www.savio.it

Look for the quality of SAVIO Restyling MANON by PININFARINA and the full range of SAVIO products on the group's site.

Discover the advantages offered by a company portal, constantly evolving to offer market operators new services . As well as company information and the product news, you will find a series of free services aimed at professional sector. Just register and fill in the provided on line form .

Every day, around the clock, you will be able to :

- *consult all technical documentation (catalogues, brochures, assembly instructions, etc.) and download it in PDF format.*
- *use the "Savio Web Assistance" service*
- *Be constantly updated on all new developments on the site via e-mail.*
- *Be the first to know about promotional offers.*



*It's easy to stay up-to-date with
www.savio.it all it takes is a click!*

Savio S.p.A. Via Torino, 25 (S.S. 25)
10050 Chiusa S. Michele (TO) Italy
Tel.+39.011.964.34.64 - Fax+39.011.964.34.74
www.savio.it - e-mail: export@savio.it

 **SAVIO**
*Quality and Innovation
for closing systems*