

OMNIA by SAVIO : functionality meets design

CARE TO DESIGN AND FINISHING

The locking device has a new rounded design face and the screwheads are supplied in matching colour to improve the aesthetics.

EASE OF OPERATION

The internal shaping, in the opening/closing operating area, is chamfered to eliminate sharp edges. In manual version, the opening/closing movement is realized by a stainless steel ball to guarantee a long-term positive locating operation without wear.

SIMPLE ASSEMBLY PROCEDURE

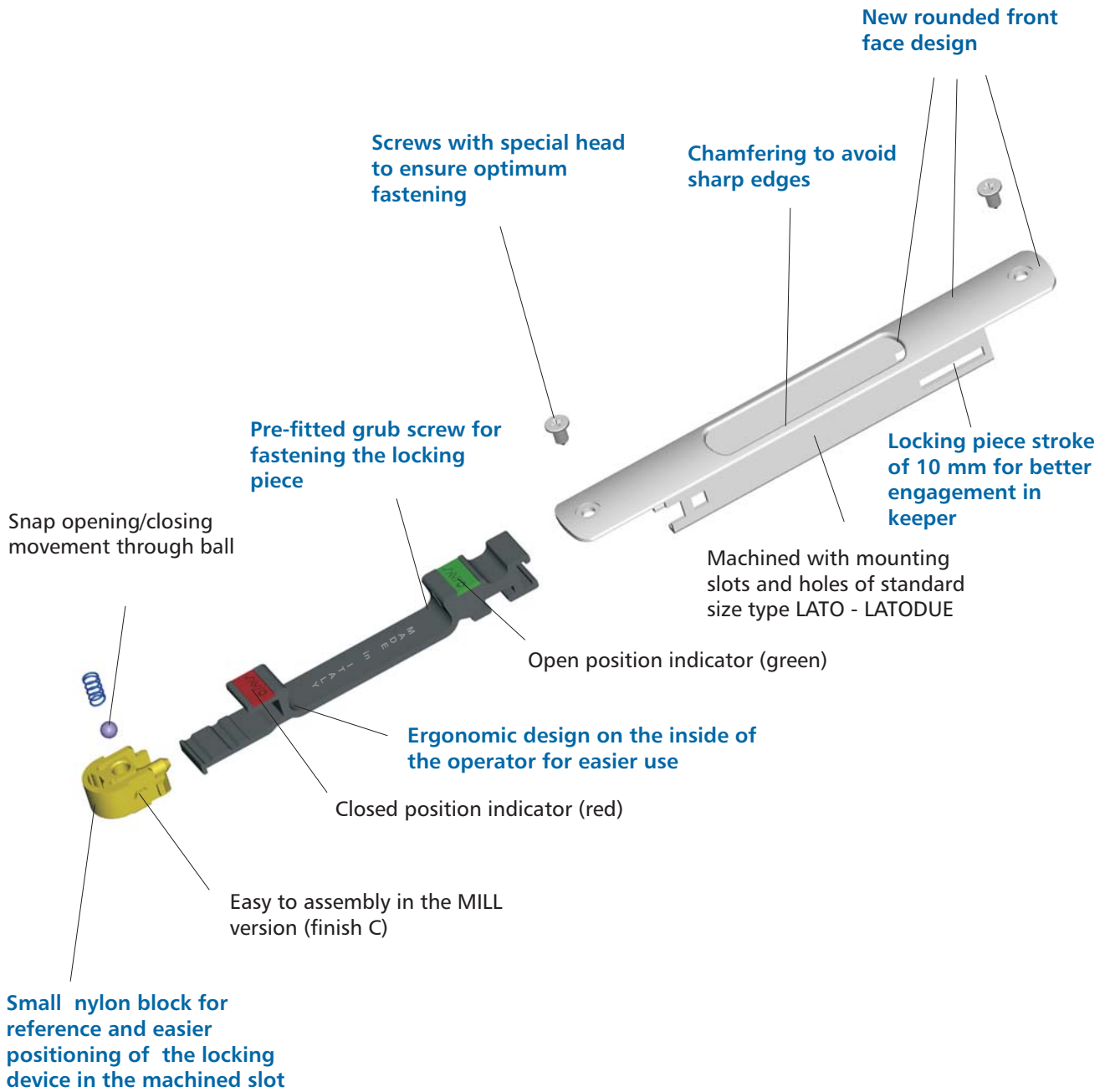
The locking device is also supplied in "c" (mill) finish in order to be powder coated or anodized by the fabricator. The technical solutions built into the design of the components enable a fast and simple assembly without the need of specialist tools.

GREAT COMPATABILITY

OMNIA (art. 2047 manual version and art. 2048 automatic version) is compatible with the locking pieces, keepers and closing kits for LATO and LATODUE. Designed to use the same standard machining details as LATO and LATODUE. Moreover, the operating stroke is 10 mm so that maximum engagement of the locking piece in the keeper is always ensured.

OMNIA

OMNIA : locking device for sliding windows



Codes

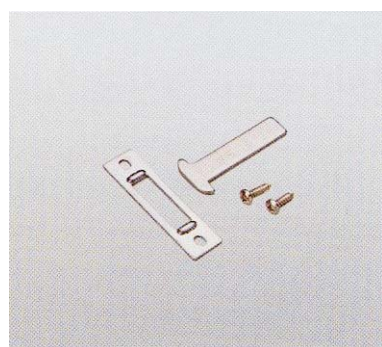
OMNIA: range of locking devices for sliding windows



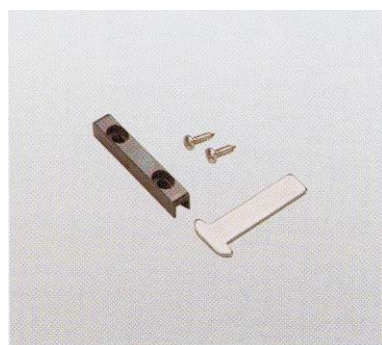
Art.	Description	Pcs.	Finishing
2047	(pat.) Non automatic closing gear for sliding windows and doors in extruded aluminium, galvanized steel and nylon; galvanized steel pre-assembled grub screws M6x8 and 2 galvanized or powder coated steel screws TS Ø 4,2x 9.	50	C, 1013, 9005, 9010 *F, ZE, NE, 1015
2048	(pat.) Automatic closing gear in extruded aluminium, nylon and galvanized steel, 1 pre-assembled grub screws M6x8 in galvanized steel and 2 screws TS Ø 4,2 x 9 in black galvanized or power coated steel.	50	C, 1013, 9005, 9010 *F, ZE, NE, 1015

*= Available upon order

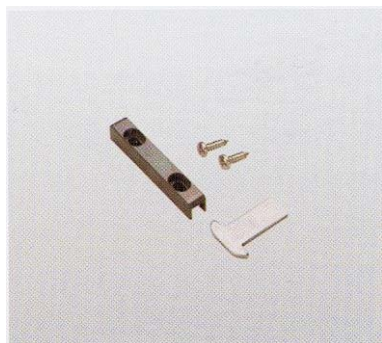
Closing kit for OMNIA locking device



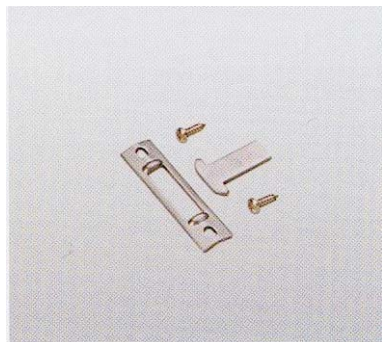
Art.	Description	Pcs.
2060.801	Kit of 1 locking piece and 1 keeper for art. 2060, in stainless steel 430, 2 screws TC Ø 3,9x13 in stainless steel 304.	40



Art.	Description	Pcs.
2060.802	Kit of 1 stainless steel 430 locking piece, 1 black galvanized zamak keeper and 2 screws TC Ø 3,9x13 in stainless steel 304.	40



Art.	Description	Pcs.
2060.803	Kit of 1 stainless steel 430 locking piece, 1 keeper in black galvanized zamak and 2 screws TC Ø 3,9x13 in stainless steel 304.	40



Art.	Description	Pcs.
2060.804	Kit of 1 locking piece and 1 keeper in stainless steel 430, 2 screws TC Ø 3,9x13 in stainless steel 304.	40

Codes

Locking piece for OMNIA locking devices

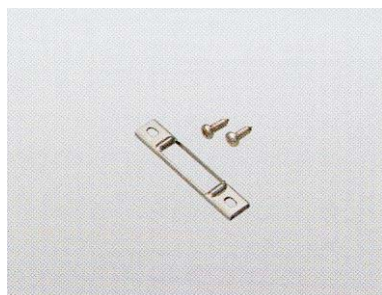


Art.	Description	Pcs.
2050.703	Straight locking piece in stainless steel 430.	40
2050.708	Straight locking piece in stainless steel 430.	40



Art.	Description	Pcs.
2050.709	Cranked locking piece in stainless steel 430.	40
2050.710	Cranked locking piece in stainless steel 430.	40
2050.711	Cranked locking piece in stainless steel 430.	40
2050.712	Cranked locking piece in stainless steel 430.	40
2050.713	Cranked locking piece in stainless steel 430.	40

Keepers for OMNIA locking devices



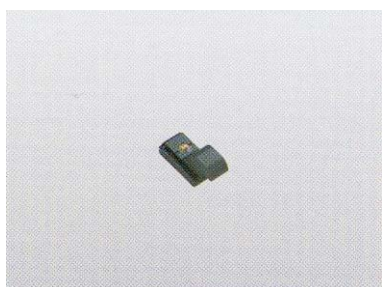
Art.	Description	Pcs.
2070.860	Keeper in stainless steel 430, 2 screws TC Ø 3,9x13 in stainless steel 304.	40
2070.863	Keeper in stainless steel 430, 2 screws TC Ø 3,9x13 in stainless steel 304.	40
2070.864	Keeper in stainless steel 430, 2 screws TC Ø 3,9x13 in stainless steel 304.	40
2070.865	Keeper in stainless steel 430, 2 screws TC Ø 3,9x25 in stainless steel 304.	40
2070.866	Keeper in stainless steel 430, 2 screws TC Ø 3,9x25 in stainless steel 304.	40
2070.868	Keeper in stainless steel 430, 2 screws TC Ø 3,9x25 in stainless steel 304.	40



Art.	Description	Pcs.
2070.861	Keeper in stainless steel 430, 2 screws TC Ø 3,9x13 in stainless steel 304.	40
2070.867	Keeper in stainless steel 430, 2 screws TC Ø 3,9x25 in stainless steel 304.	40



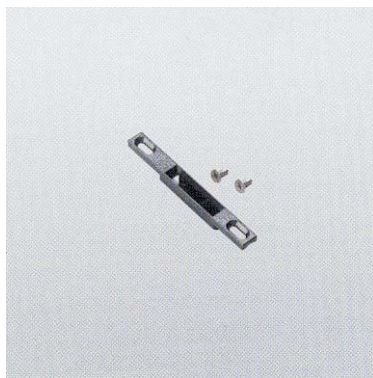
Art.	Description	Pcs.
2070.862	Keeper in black galvanized zamak, 2 screws TC Ø 3,9x13 in stainless steel 304.	40



Art.	Description	Pcs.
2070.869	Keeper in black aluminium and pre-assembled grub screws.	40
2070.875	Keeper in black aluminium and pre-assembled grub screws.	40
2070.876	Keeper in black aluminium and pre-assembled grub screws.	40
2070.877	Keeper in black aluminium and pre-assembled grub screws.	40

Codes

Keepers for OMNIA locking devices



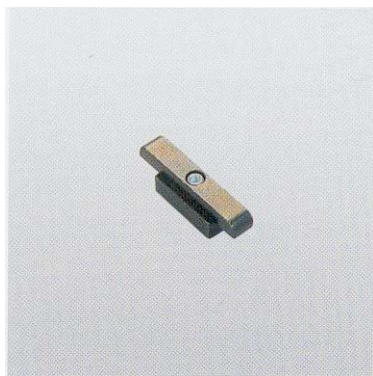
Art.	Description	Pcs.
2070.871	Keeper in black galvanized zamak and pre-assembled grub screws.	40
2070.872	Keeper in black galvanized zamak and pre-assembled grub screws.	40
2070.873	Keeper in black galvanized zamak and pre-assembled grub screws.	40
2070.874	Keeper in black galvanized zamak and pre-assembled grub screws.	40



Art.	Description	Pcs.
2070.879	Keeper in black aluminium and pre-assembled grub screws.	40



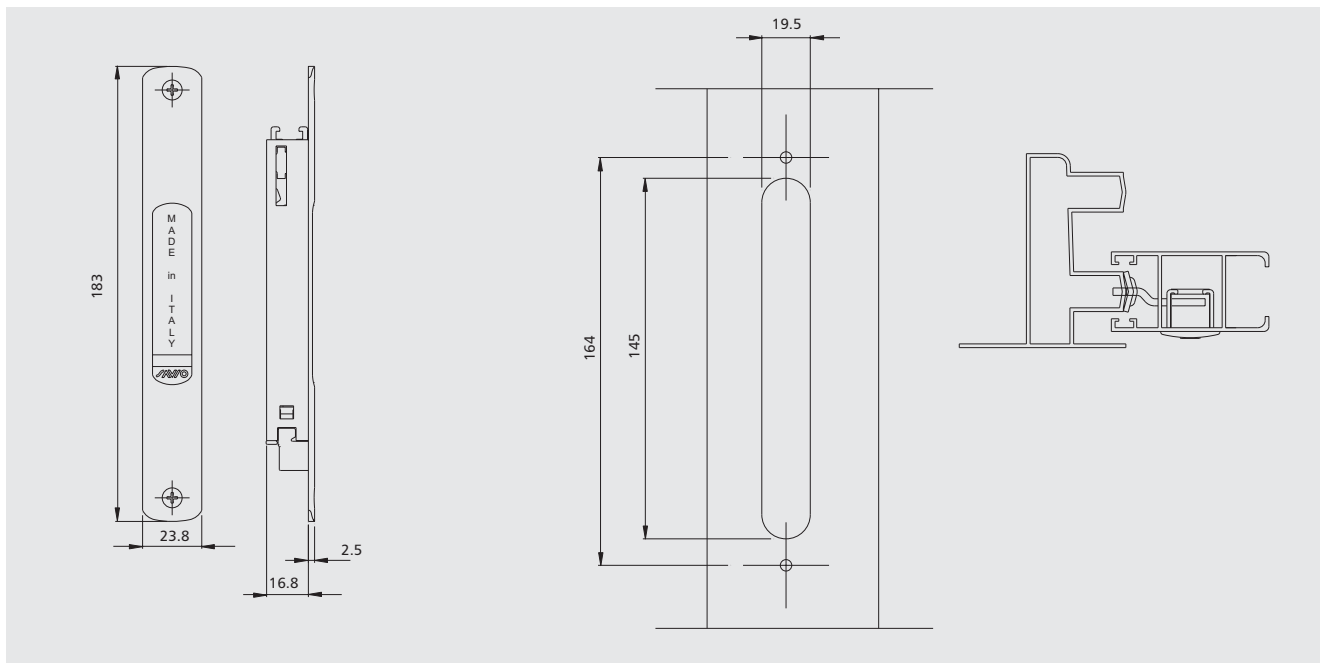
Art.	Description	Pcs.
2070.878	Keeper in black galvanized zamak, 2 white galvanized screws TS Ø 3.9x16.	40



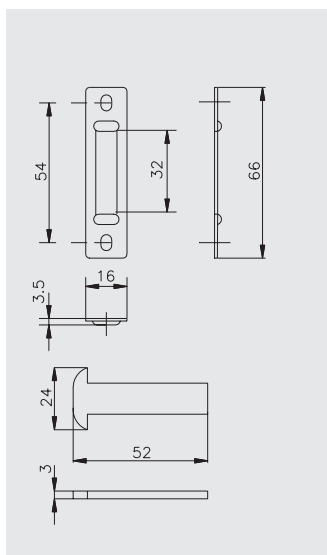
Art.	Description	Pcs.
2070.870	Blind keeper in black galvanized zamak, 2 screws TS Ø 3.9x9.5 in stainless steel 304.	40

OMNIA, locking devices for sliding windows

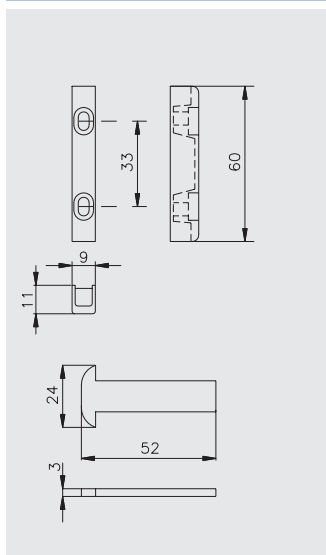
2047 - 2048



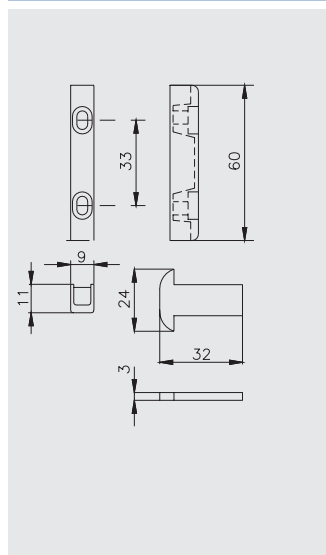
2060.801



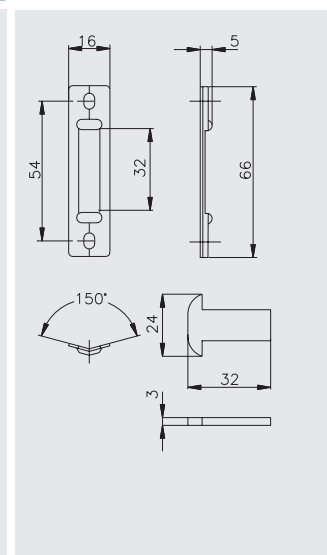
2060.802



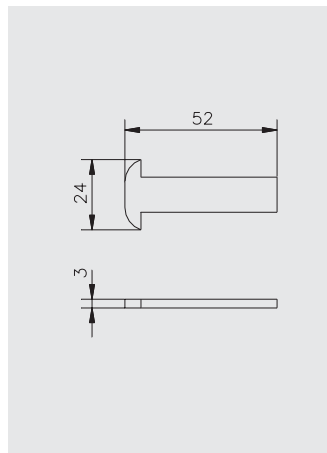
2060.803



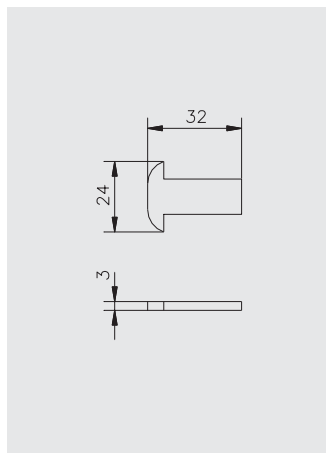
2060.804



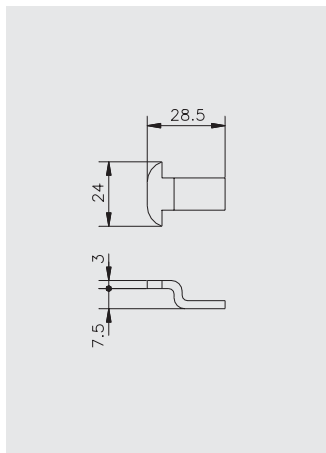
2050.703



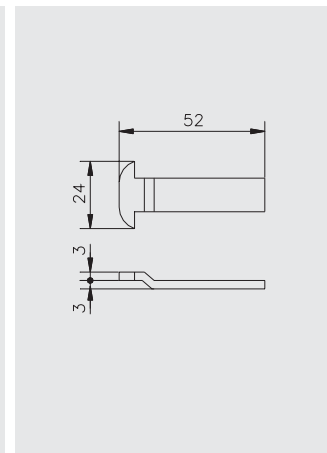
2050.708



2050.709

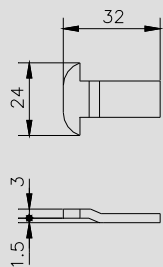


2050.710

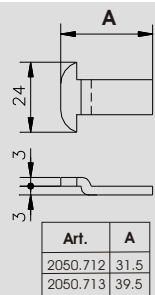


Technical drawings

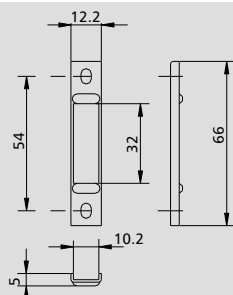
2050.711



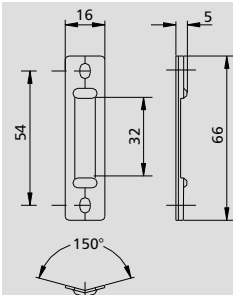
2050.712 - 2050.713



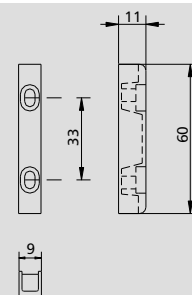
2070.860 - 2070.865



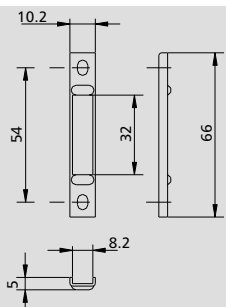
2070.861 - 2070.867



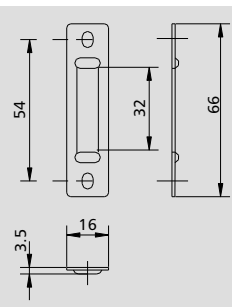
2070.862



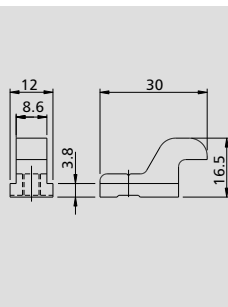
2070.863 - 2070.866



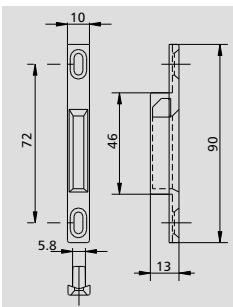
2070.864 - 2070.868



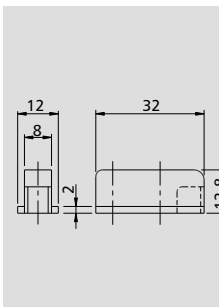
2070.869



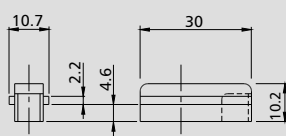
2070.870



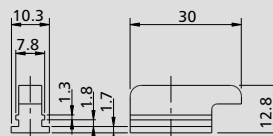
2070.871



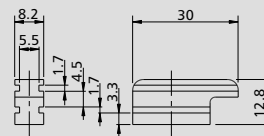
2070.872



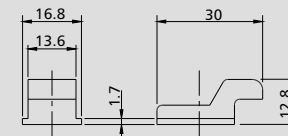
2070.873



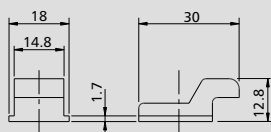
2070.874



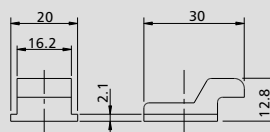
2070.875



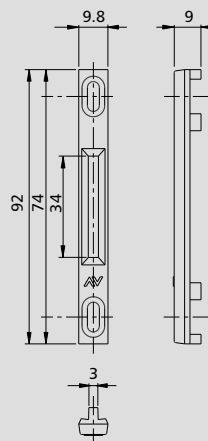
2070.876



2070.877



2070.878



2070.879

