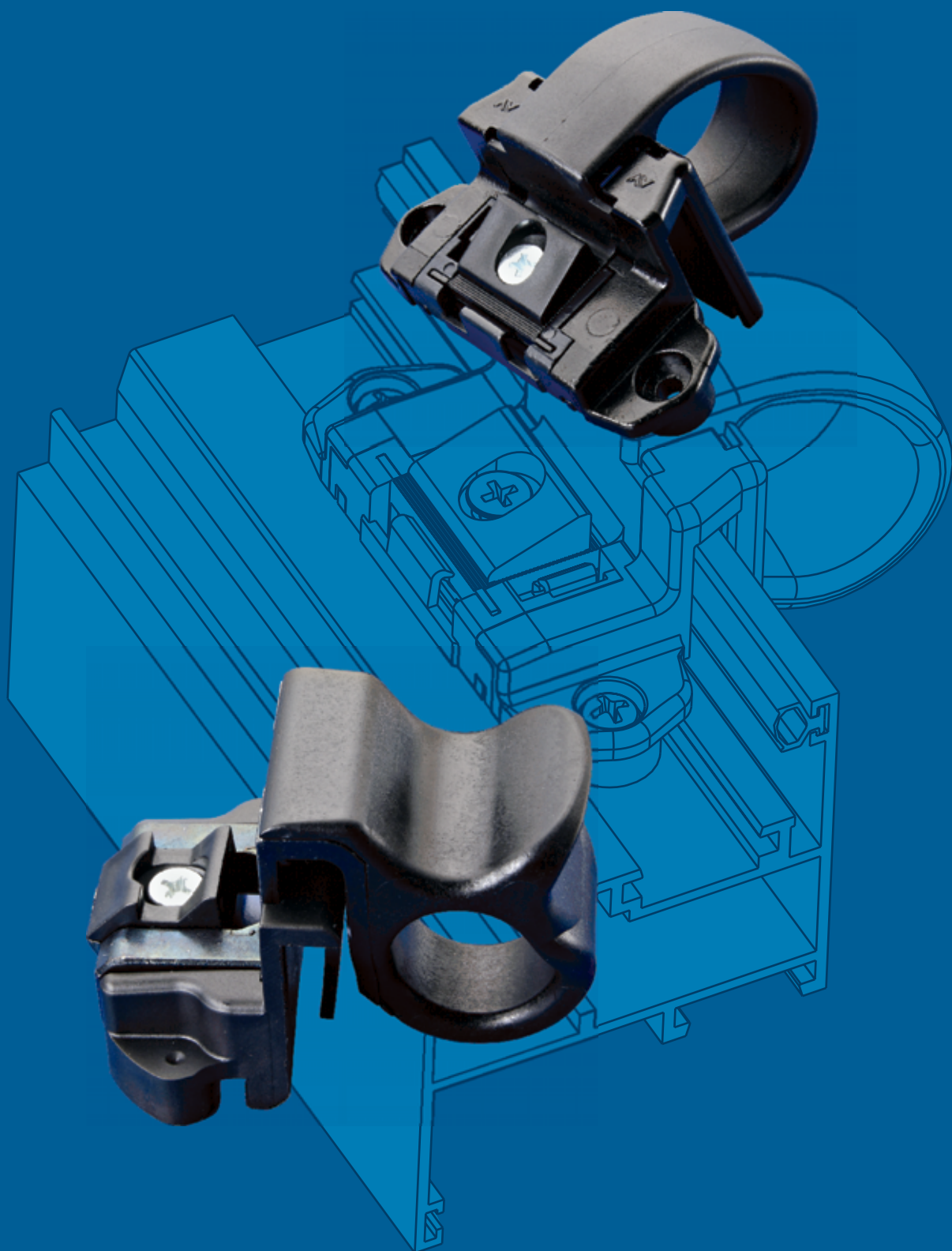


REGGOLO



NEW CATCHES FOR
BOTTOM-HUNG WINDOWS

GB 02/2008

AV SAVIO

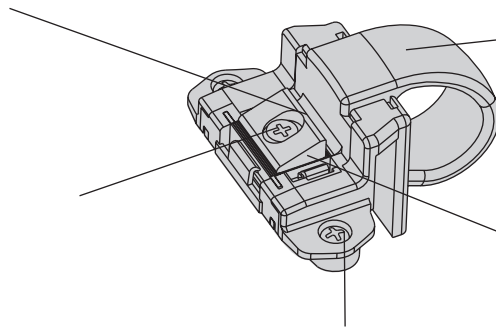
New catches for bottom-hung windows

The profile acts as closing keeper.

Item1390.1

Adjustment (+/- 1,2).

Fixable directly on the leaf with self-drilling screws.



Die-cast metal body and techno-polymer ergonomic handgrip.

Long travel of the latch which guarantees a strong closing.

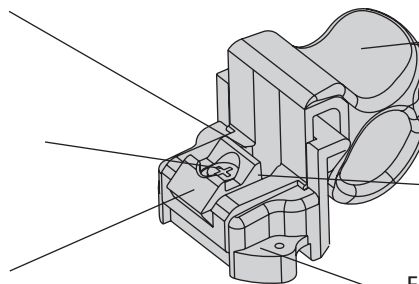
REGOLO

The profile acts as closing keeper.

Item1390.5

Adjustment (+/- 1,2).

With microventilation device.



Die-cast metal body and techno-polymer ergonomic handgrip.

Long travel of the latch which guarantees a strong closing.

Fast assembly without screws (if needed, it is possible to fasten the spring latch to the profile by means of two self-tapping screws).

Codes

New catches for bottom-hung windows.



Art.	Description	Finishes	Pcs.
1390.1	(patented) Preassembled clamp-in catch in black galvanized zamak, 2 self-tapping fitting screws in galvanized steel, adjustable keeper, 1 steel spring.	.74	50
		.75	
		.78	



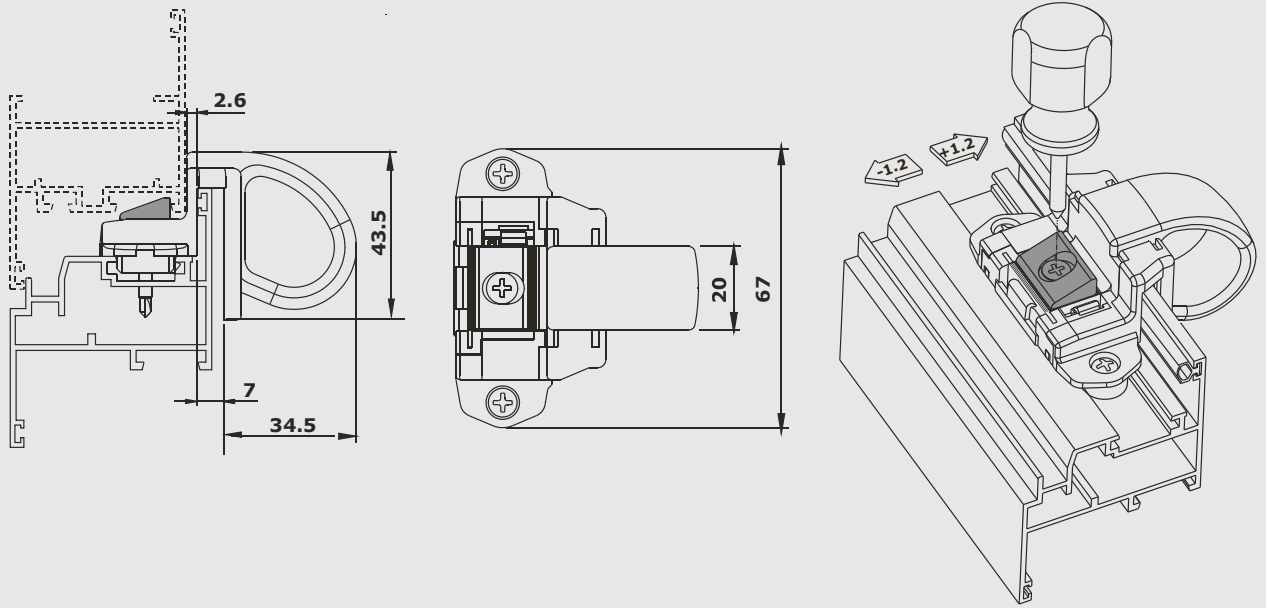
Art.	Description	Finishes	Pcs.
1390.5	(patented) Preassembled clamp-in catch in black galvanized zamak, 2 self-tapping fitting screws in galvanized steel, adjustable keeper, 1 steel spring, with ventilation controlling device.	.74	50
		.75	
		.78	

Finishing table

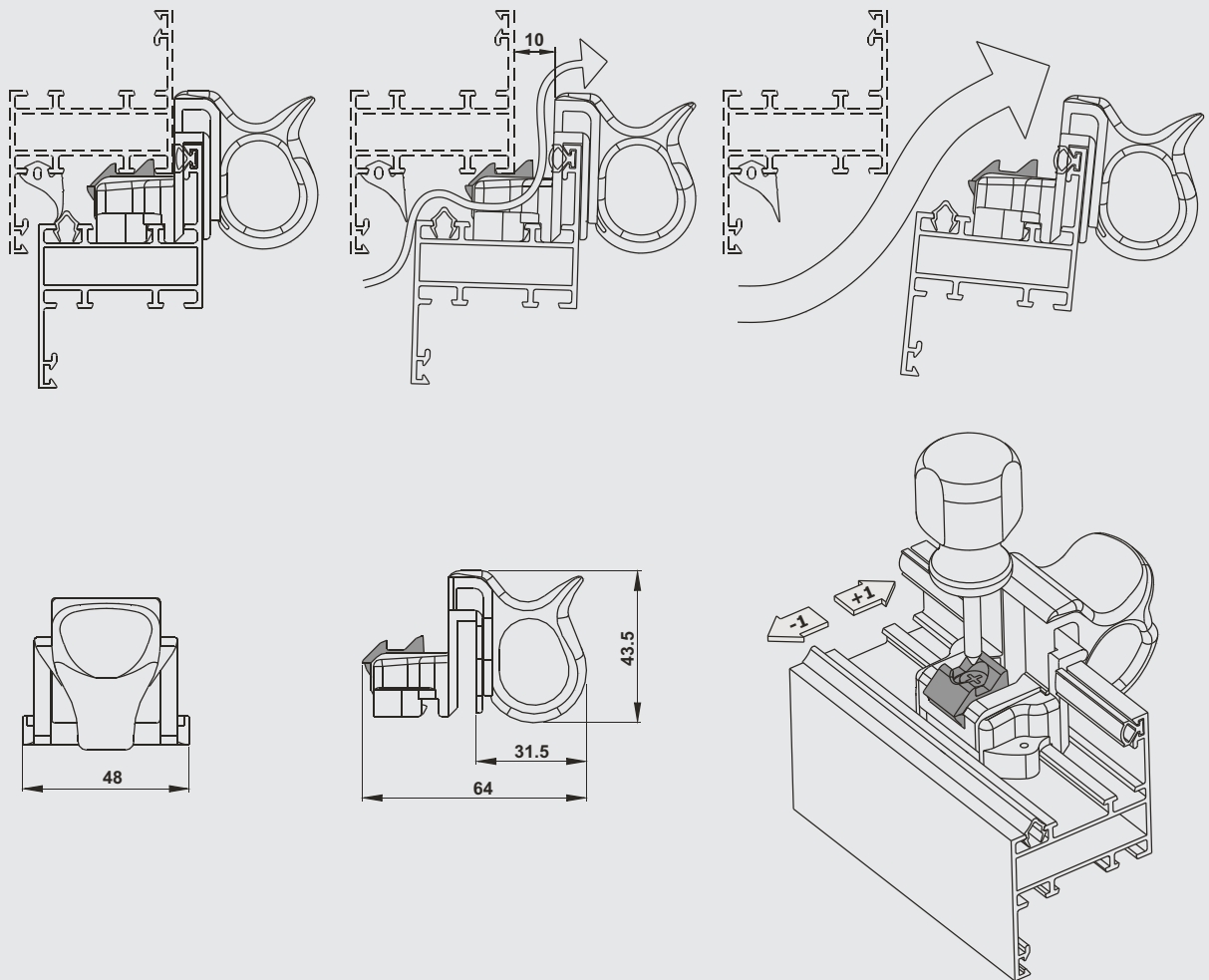
.74 = black
.75 = ivory

.78 = white

1390.1



1390.5



Suitability table

EXTRUDER	PROFILE	1390.1	1390.5
ABITHAL SERVICES	CRISTAL Porte	●	
	EURO 40	●	
	EURO KEEPER 45	●	
	GREEN 45 sormonto	●	
	KEEPER 53/60	●	
	KEEPER 61/68	●	
ALCOA	R 40		●
	R 50		●
	R 50 TT		●
	R 50 TT barra cont.		●
	R 60 TT		●
	R 62 TT		●
	R 72 TT		●
ALEXIA	ESEDRA GA 53	●	
	ESEDRA TT 63	●	
	ESEDRA TT 75	●	
ALL.CO	EXPORT 45	●	
	EXPORT 45 TT	●	
	EXPORT 50	●	
	EXPORT 50 TT	●	
	K 40	●	
	K 45T	●	
	K 64T	●	
K 70T	●		
ALUMEC	SYNTHESIS 45	●	
	SYNTHESIS 57	●	
	SYNTHESIS 60 TT	●	
BODEGA	BGA 50 Arrotondato	●	
EQUIPE	SERIE 8000	●	
	SERIE 8000 TT	●	
ETA	START 410	●	
	START 470 TT	●	
	START 510	●	
	START 560 TT	●	
	START 640 TT	●	
	START 760 TT	●	
FINAL	EXPORT 45	●	
	EXPORT 45 T	●	
	EXPORT 50	●	
	EXPORT 50 T	●	
HYDRO	BREAK PA 52	●	
	BREAK PA 63	●	
	BREAK PA 70 S	●	
	DOMAL STOPPER PG 63	●	
	STOPPER PG	●	
IND.INVEST	GOLD 400	●	
	GOLD 450	●	
	GOLD 450 TT	●	
	GOLD 490	●	
	GOLD 500	●	
	GOLD 600	●	

EXTRUDER	PROFILE	1390.1	1390.5	
METRA	METRALTECH	●		
	NC 45 INT.	●		
	NC 45 STH	●		
	NC 50 I	●		
	NC 50 STH	●		
	NC 55 INT	●		
	NC 65 STH	●		
	NC 68 STH	●		
	NC 68 STH.S	●		
	NC 72 STH	●		
	SUPERBLINDO	●		
	MEXALL	MX 50	●	
		MX 70	●	
MORELLI	MA 2000 TT	●		
OCMA	SV 39	●		
	SV 47/55	●		
	SV TT55	●		
	SV TT70	●		
PASSERINI	SV TT74	●		
	MAASTRICHT 53	●		
	MAASTRICHT LIGHT	●		
	MAASTRICHT TH 60	●		
	MAASTRICHT TH 68	●		
VENICE TH16	●			
PONZIO SUD	NEW TEC 50		●	
	NEW TEC 50 CLASSIC		●	
	NEW TEC 52 TT		●	
	NEW TEC 52 TT CLASSIC		●	
	NEW TEC 52 TT LIGHT		●	
	NEW TEC 60 F		●	
	NEW TEC 60 TT		●	
	NEW TEC 60 TT CLASSIC		●	
	NEW TEC 68 TT		●	
	WINDSTOP 45	●		
	WINDSTOP 45 TT	●		
	WINDSTOP 45 TT CLASSIC	●		
	WINDSTOP 55 TT	●		
WINDSTOP 55 TT CLASSIC	●			
WINDSTOP 65 TT	●			
WINDSTOP 65 TT CLASSIC	●			
PROFILATI	EKU 40	●		
	EKU 53	●		
	EKU 53 TT	●		
	EKU 64 TT	●		
	EKU 72 TT	●		
TO.MA.	ATLANTIS 45	●		
	ATLANTIS 55 TT	●		
	ATLANTIS 68 TT	●		

Savio S.p.A. reserves the right to modify the technical specifications of product featured in this catalogue at any moment and without warning.



- DIN EN ISO 14001
- Certified Management System
- DIN EN ISO 9001

Savio S.p.A. Via Torino, 25 (S.S. 25)
10050 Chiusa S. Michele (TO) Italy
Tel. +39.011.964.34.64 - Fax +39.011.964.34.74
www.savio.it - e-mail: savio@savio.it

SAVIO
Quality and innovation
for closing systems