

VELA

Complete range of non-handed handles for tilt and turn and inward opening windows

MAIN FEATURES:

- Materials: all versions are in aluminium
- Shape harmony: the upper shape of the body has been harmonized with the rest of the handle aesthetics
- Fluid movement and exact snap
- Suitability: for Eurogroove and "R" profiles



ITEM DESCRIPTIONS



ITEM	DESCRIPTION	FINISHES	PCS.
A280510	VELA Non-handed handle for BORA tilt and turn windows (C.U./METRA profiles) . Body and grip in aluminium. Dist. between centres: 84-100-104 mm. Travel: 19 mm. Operating position: 0° 90° 180°. Stainless steel screws included.	01, 24, 28, 60, 61, 62, 65, 67, 69, 71, 79, 81, 85, 87, 90, 92, 95	5
A280511	Like A280510 but without grip.	24, 28, 60, 61, 69, 71	5
A280512	Like A280510 but with key.	01, 24, 28, 60, 61, 69, 71	5



ITEM	DESCRIPTION	FINISHES	PCS.
A280242	VELA Non-handed handle for all SAVIO tilt and turn windows and for Slideart TS . Body and grip in aluminium. Dist. between centres: 84-100-104 mm. Travel: 19 mm. Operating position: 0° 90° 180°. Pinions of 12 mm. Stainless steel screws included.	60, 61, 69, 73, 79	5
A280274	Like A280242 but without grip.	60, 61, 69, 73, 79	5
A280267	Like A280242 but with key.	01, 60, 61, 69, 73, 79	5

VELA

Complete range of non-handed handles for tilt and turn and inward opening windows

HANDLE NEW RANGE



ITEM	DESCRIPTION	FINISHES	PCS.
A280211	VELA Non-handed handle for inward opening windows . Body and grip in aluminium. Dist. between centres: 84-100-104 mm. Travel: 15 mm. Operating position: 0° 90°. Pinions of 14 mm . Stainless steel screws included. For C.U./METRA profiles. To use with the Alutec connecting pieces art. A28002955.	01, 24, 28, 60, 61, 62, 65, 67, 69, 71, 79, 81, 85, 87, 92, 95	10
A280266	Like A280211 but without grip.	01, 24, 28, 60, 61, 69, 71, 79, 92	10
A280271	Like A280211 but with key.	01, 24, 28, 60, 61, 69, 71, 79	10



ITEM	DESCRIPTION	FINISHES	PCS.
A503510	VELA Non-handed handle for BORA tilt and turn windows (R40 profile) . Body and grip in aluminium. Dist. between centres: 84-100-104 mm. Travel: 19 mm. Operating position: 0° 90° 180°. Stainless steel screws included.	01, 24, 28, 60, 61, 62, 65, 67, 69, 71, 79, 81, 85, 87, 90, 92, 95	5
A503511	Like A503510 but without grip.	24, 28, 60, 61, 69, 71, 79, 90	5
A503512	Like A503510 but with key.	24, 28, 60, 61, 69, 71, 79, 90	5



ITEM	DESCRIPTION	FINISHES	PCS.
A503210	VELA Non-handed handle for REGATA R50 tilt and turn windows and for SAVIO R40-R50 tilt and turn windows . Body and grip in aluminium. Dist. between centres: 84-100-104 mm. Travel: 19 mm. Operating position: 0° 90° 180°. Pinions of 12 mm. Stainless steel screws included.	01, 24, 28, 60, 61, 62, 65, 67, 69, 71, 79, 81, 85, 87, 90, 92, 95	5
A503211	Like A503210 but without grip.	01, 60, 61, 69, 71, 79, 90, 92	5
A503212	Like A503210 but with key.	60, 61, 69, 71, 79, 90, 92	5

VELA

Complete range of non-handed handles for tilt and turn and inward opening windows

HANDLE NEW RANGE

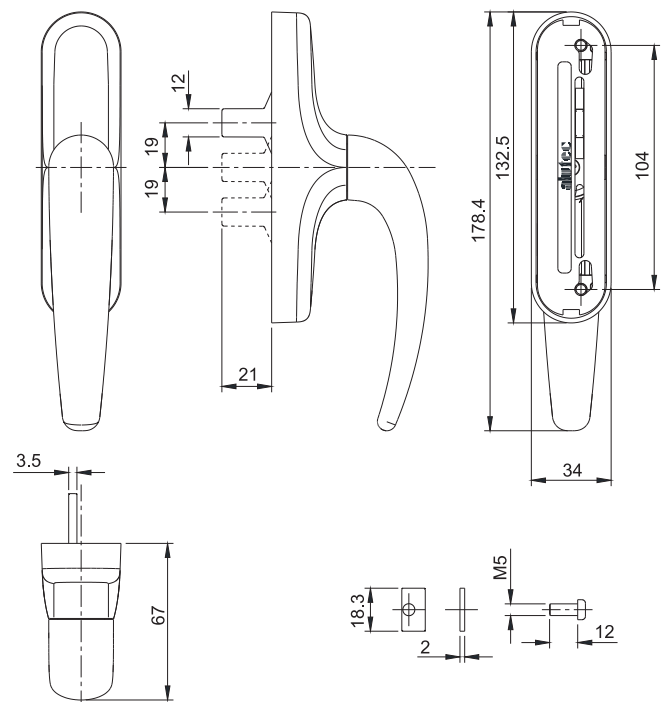
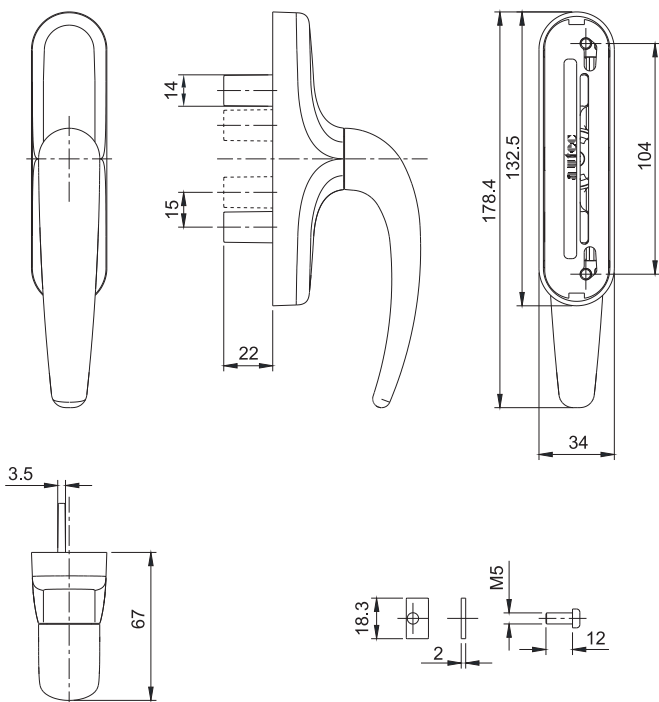


ITEM	DESCRIPTION	FINISHES	PCS.
A503220	VELA Non-handed handle for inward opening windows. Body and grip in aluminium Dist. between centres: 84-100-104 mm. Travel: 15 mm. Operating position: 0° 90°. Pinions of 12 mm. Stainless steel screws included. For R profiles.	01, 24, 28, 60, 61, 62, 65, 67, 69, 71, 79, 81, 85, 87, 90, 92, 95	10
A503221	Like A503220 but without grip.	01, 24, 28, 60, 61, 62, 69, 71, 79, 90, 92	10
A503222	Like A503220 but with key.	60, 61, 62, 69, 71, 79, 90, 92	10

TECHNICAL DRAWINGS

A280211 - A280266 - A280271

A280242 - A280267 - A280274



VELA

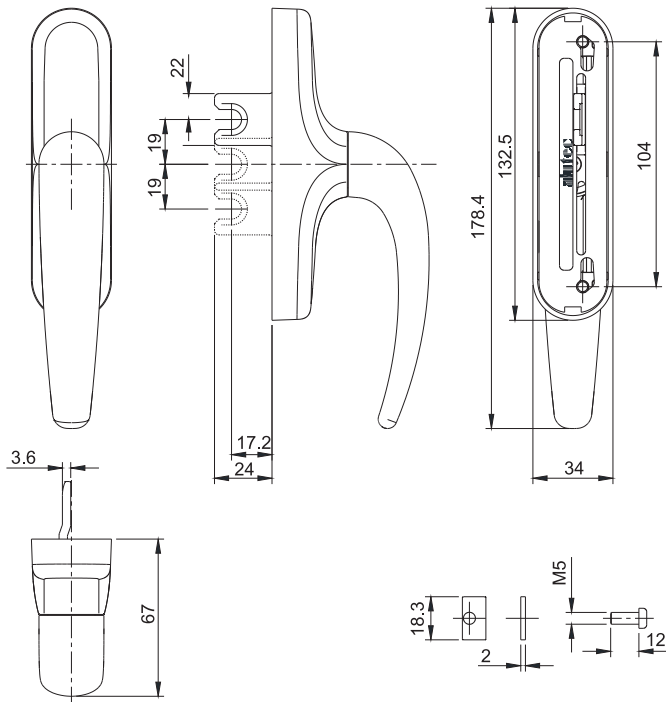
Complete range of non-handed handles for tilt and turn and inward opening windows

HANDLE NEW RANGE

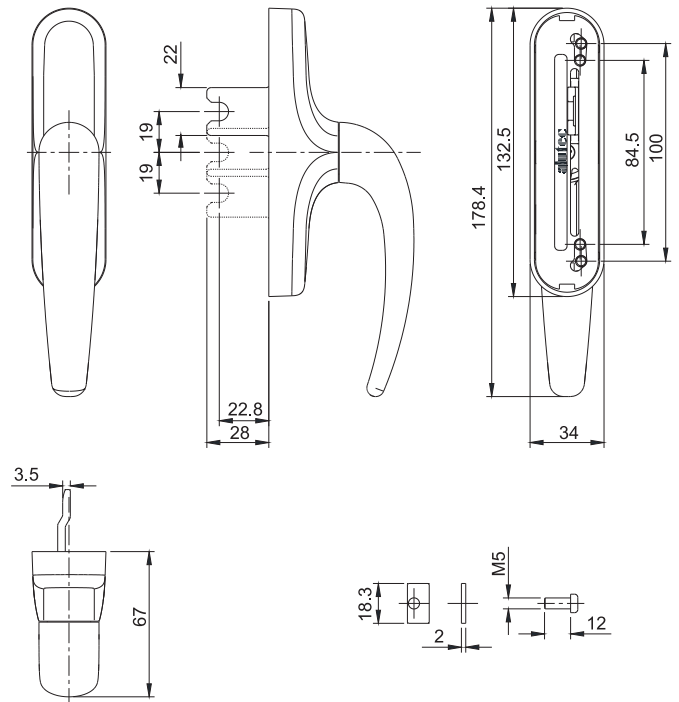


TECHNICAL DRAWINGS

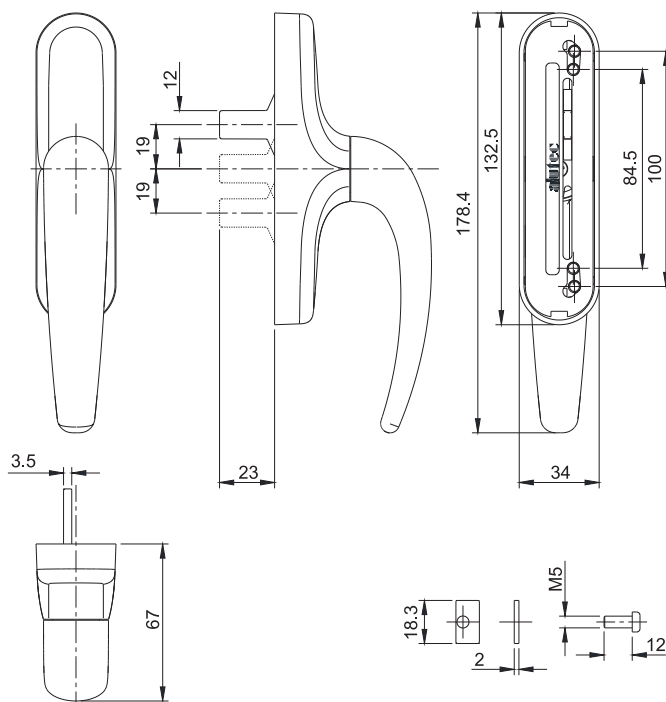
A280510 - A280511 - A280512



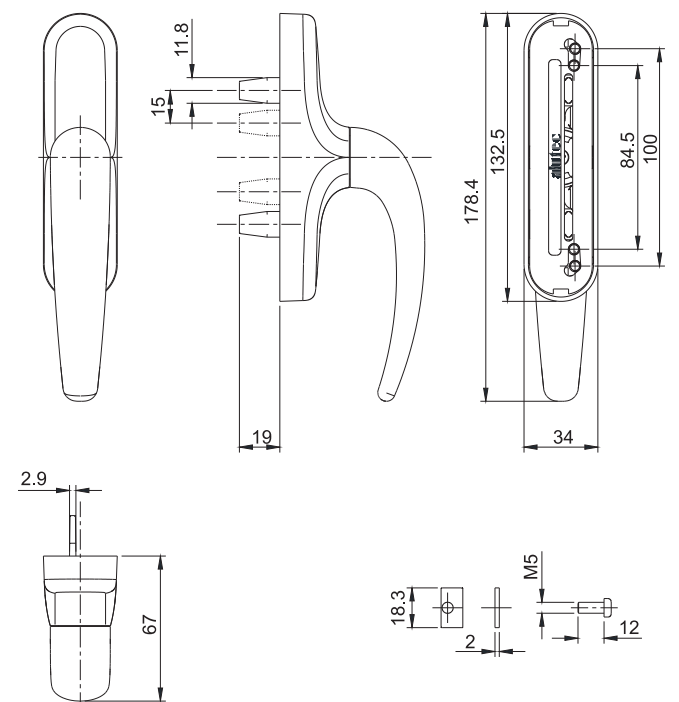
A503510 - A503511 - A503512



A503210 - A503211 - A503212



A503220 - A503221 - A503222



VELA

Complete range of non-handed handles for tilt and turn and inward opening windows

HANDLE NEW RANGE



TRANSCODING TABLE OF VELA HANDLE OLD/NEW CODES

OLD code	NEW code	DESCRIPTION	SUITABILITY
A280011	A280211	Non-handed VELA handle for inward opening windows (C.U./METRA profiles)	For casement openings - C.U./METRA - To use with Alutec connecting pieces art. A28002955
A280066	A280266	Non-handed VELA handle without grip for inward opening windows (C.U./METRA profiles)	For casement openings - Without grip - C.U./METRA - To use with Alutec connecting pieces art. A28002955
A280071	A280271	Non-handed VELA handle with key for inward opening windows (C.U./METRA profiles)	For casement openings - With key - C.U./METRA - To use with Alutec connecting pieces art. A28002955
A280310	A280510	Non-handed VELA handle for Bora tilt and turn windows (C.U./METRA profiles)	For tilt and turn windows - C.U./METRA - Wishbone pinion - Only for Alutec Bora
A280311	A280511	Non-handed VELA handle without grip for Bora tilt and turn windows (C.U./METRA profiles)	For tilt and turn windows - Without grip - C.U./METRA - Wishbone pinion - Only for Alutec Bora
A280312	A280512	Non-handed VELA handle with key for Bora tilt and turn windows (C.U./METRA profiles)	For tilt and turn windows - With key - C.U./METRA - Wishbone pinion - Only for Alutec Bora
A503110	A503510	Non-handed VELA handle for Bora R40 tilt and turn windows	For tilt and turn windows - R40 - Wishbone pinion - Only for Alutec Bora
A503111	A503511	Non-handed VELA handle without grip for Bora R40 tilt and turn windows	For tilt and turn windows - Without grip - R40 - Wishbone pinion - Only for Alutec Bora
A503112	A503512	Non-handed VELA handle with key for Bora R40 tilt and turn windows	For tilt and turn windows - With key - R40 - Wishbone pinion - Only for Alutec Bora
A503410	A503210	Non-handed VELA handle for Regata R50 and Savio R40-50 tilt and turn windows	For tilt and turn windows - R50 - For Regata Alutec and Savio R40-50
A503411	A503211	Non-handed VELA handle without grip for Regata R50 and Savio R40-50 tilt and turn windows	For tilt and turn windows - Without grip - R50 - For Regata Alutec and Savio R40-50
A503412	A503212	Non-handed VELA handle with key for Regata R50 and Savio R40-50 tilt and turn windows	For tilt and turn windows - With key - R50 - For Regata Alutec and Savio R40-50
A503420	A503220	Non-handed VELA handle for inward opening windows (Alutec connecting pieces)	For casement openings - R40/50 - Special pinions - To use only with Alutec special connecting pieces
A503421	A503221	Non-handed VELA handle without grip for inward opening windows (Alutec connecting pieces)	For casement openings - Without grip - R40/50 - Special pinions - To use only with Alutec special connecting pieces
A503422	A503222	Non-handed VELA handle with key for inward opening windows (Alutec connecting pieces)	For casement openings - With key - R40/50 - Special pinions - To use only with Alutec special connecting pieces
A280042	A280242	Non-handed VELA handle for all tilt and turn SAVIO windows and for Slideart TS	For tilt and turn windows - 12 mm pinion - Dist. between centres of 104 - For all tilt and turn SAVIO windows and for Slideart TS
A280074	A280274	Non-handed VELA handle without grip for all tilt and turn SAVIO windows and for Slideart TS	For tilt and turn windows - Without grip - 12 mm pinion - Dist. between centres of 104 - For all tilt and turn SAVIO windows and for Slideart TS
A280067	A280267	Non-handed VELA handle with key for all tilt and turn SAVIO windows and for Slideart TS	For tilt and turn windows - With key - 12 mm pinion - Dist. between centres of 104 - For all tilt and turn SAVIO windows and for Slideart TS